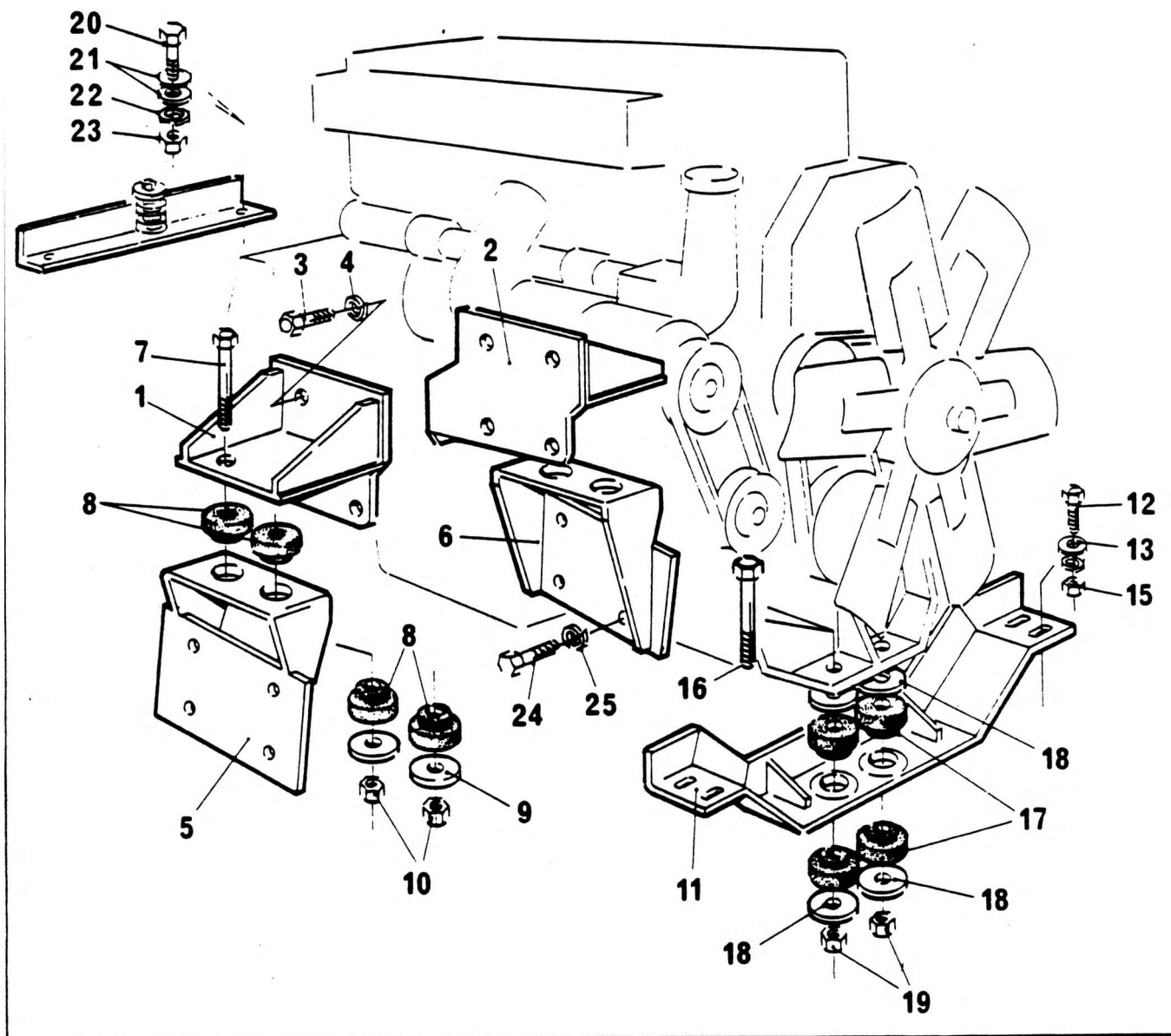


ENGINE MOUNTING ASSEMBLY - CUMMINS



NO.	PART NO.	QTY.	DESCRIPTION	NO.	PART NO.	QTY.	DESCRIPTION
1	2-184-995000	1	Mounting Bracket	17	7-638-000024	4	Centre Bonded Mounting
2	2-184-990466	1	Mounting Bracket	18	6-949-000147	4	Washer Special
3	7-115-221415	8	Screw $\frac{3}{8}$ " UNC x $1\frac{1}{8}$ "	19	7-660-221602	2	Nut $\frac{3}{8}$ " UNC
4	7-949-000236	8	Washer	20	7093102	2	Bolt M16 x 50 Long
5	6-869-990511	1	Support RH	21	7-951-240210	2	Spring Washer M16
6	6-869-990512	1	Support LH	22	7-951-240014	4	Washer Plain M16
7	7-115-203250	4	Bolt	23	7-661-241103	2	16mm Dia. Nut
8	7-638-000025	8	Mounting Centre Bonded	24	7045405	8	Screw M12 x 30 Long
9	7-949-000148	4	Flatwasher	25	7066539	8	Washer Plain M12
10	7-660-201602	4	Nut $\frac{3}{8}$ " UNC				
11	6-869-990552	1	Front Support				
12	7045409	4	Screw M12 x 45 Long				
13	7069407	4	Washer				
15	7069407	4	Nut M12				
16	7-115-223650	2	Screw				

6-414-990225

Issue No. 04